



Shenzhen Jinshunlaite Motor.,Ltd.

web: www.aslongdcmotor.com/www.aslongmotor.com

Email: sales@aslongmotor.com



Mdel: JGY370B

Rated DC6V660 testing parameter table

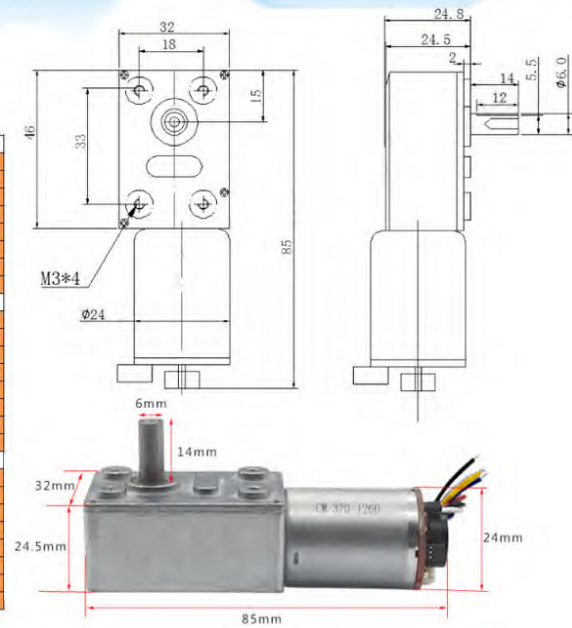
Reduction ratio	40	65	90	150	200	260	340	600	1000
No load current mA	≤100	≤100	≤100	≤100	≤100	≤100	≤100	≤100	≤100
No load speed rpm	150	90	66	40	30	23	18	10	6
Rated torque kg cm	0.2	0.5	0.7	2	5.3	6.7	9	15.9	26.5
Rated speed rpm	120	70	51	30	22	18	15	7.5	4
Rated current A	≤0.6	≤0.6	≤0.6	≤0.6	≤0.6	≤0.6	≤0.6	≤0.6	≤0.6
Max torque kg cm	0.9	1.6	2	7.5	10	13	18	30	45
Stall current A	3.3	3.3	3.3	3.3	3.3	3.3	3.3	3.3	3.3

Rated DC12V1260 testing parameter table

Reduction ratio	40	65	90	150	200	260	340	600	1000
No load current mA	≤60	≤60	≤60	≤60	≤60	≤60	≤60	≤60	≤60
No load speed rpm	150	90	66	40	30	23	18	10	6
Rated torque kg cm	0.2	0.5	0.7	2	5.3	6.7	9	15.9	26.5
Rated speed rpm	120	70	51	30	22	18	15	7.5	4
Rated current A	≤0.6	≤0.6	≤0.6	≤0.6	≤0.6	≤0.6	≤0.6	≤0.6	≤0.6
Max torque kg cm	0.9	1.6	2	7.5	10	13	18	30	45
Stall current A	1.7	1.7	1.7	1.7	1.7	1.7	1.7	1.7	1.7

Rated DC24V2460 testing parameter table

Reduction ratio	40	65	90	150	200	260	340	600	1000
No load current mA	≤40	≤40	≤40	≤40	≤40	≤40	≤40	≤40	≤40
No load speed rpm	150	90	66	40	30	23	18	10	6
Rated torque kg cm	0.2	0.5	0.7	2	5.3	6.7	9	15.9	26.5
Rated speed rpm	120	70	51	30	22	18	15	7.5	4
Rated current A	≤0.3	≤0.3	≤0.3	≤0.3	≤0.3	≤0.3	≤0.3	≤0.3	≤0.3
Max torque kg cm	0.9	1.6	2	7.5	10	13	18	30	45
Stall current A	0.85	0.85	0.85	0.85	0.85	0.85	0.85	0.85	0.85





Shenzhen Jinshunlaite Motor.,Ltd.

web : www.aslongdcmotor.com/www.aslongmotor.com

Email : sales@aslongmotor.com

ASLONG

Mdel:JGY370D

Model:DC worm gear motor JGY-370

Rated DC6V660 testing parameter table

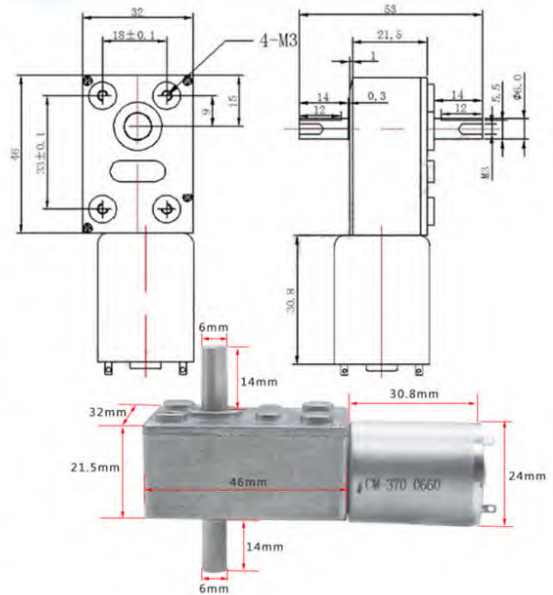
Reduction ratio	40	65	90	150	200	260	340	600	1000
No load current MA	≤100	≤100	≤100	≤100	≤100	≤100	≤100	≤100	≤100
No load speed rpm	150	90	66	40	30	23	18	10	6
Rated torque kg cm	0.2	0.5	0.7	2.0	5.3	6.7	9	15.9	26.5
Rated speed rpm	120	70	51	30	22	18	15	7.5	4
Rated current A	≤0.6	≤0.6	≤0.6	≤0.6	≤0.6	≤0.6	≤0.6	≤0.6	≤0.6
Max torque kg cm	0.9	1.6	2	7.5	10	13	18	30	45
Stop current A	3.3	3.3	3.3	3.3	3.3	3.3	3.3	3.3	3.3

Rated DC12V1260 testing parameter table

Reduction ratio	40	65	90	150	200	260	340	600	1000
No load current MA	≤60	≤60	≤60	≤60	≤60	≤60	≤60	≤60	≤60
No load speed rpm	150	90	66	40	30	23	18	10	6
Rated torque kg cm	0.2	0.5	0.7	2.0	5.3	6.7	9	15.9	26.5
Rated speed rpm	120	70	51	30	22	18	15	7.5	4
Rated current A	≤0.6	≤0.6	≤0.6	≤0.6	≤0.6	≤0.6	≤0.6	≤0.6	≤0.6
Max torque kg cm	0.9	1.6	2	7.5	10	13	18	30	45
Stop current A	1.7	1.7	1.7	1.7	1.7	1.7	1.7	1.7	1.7

Rated DC24V2460 testing parameter table

Reduction ratio	40	65	90	150	200	260	340	600	1000
No load current MA	≤40	≤40	≤40	≤40	≤40	≤40	≤40	≤40	≤40
No load speed rpm	150	90	66	40	30	23	18	10	6
Rated torque kg cm	0.2	0.5	0.7	2.0	5.3	6.7	9	15.9	26.5
Rated speed rpm	120	70	51	30	22	18	15	7.5	4
Rated current A	≤0.3	≤0.3	≤0.3	≤0.3	≤0.3	≤0.3	≤0.3	≤0.3	≤0.3
Max torque kg cm	0.9	1.6	2	7.5	10	13	18	30	45
Stop current A	0.85	0.85	0.85	0.85	0.85	0.85	0.85	0.85	0.85



Shenzhen Jinshunlaite Motor.,Ltd.

web : www.aslongdcmotor.com/www.aslongmotor.com

Email : sales@aslongmotor.com

ASLONG

Mdel:JGY370GB

Rated DC6V660 testing parameter table

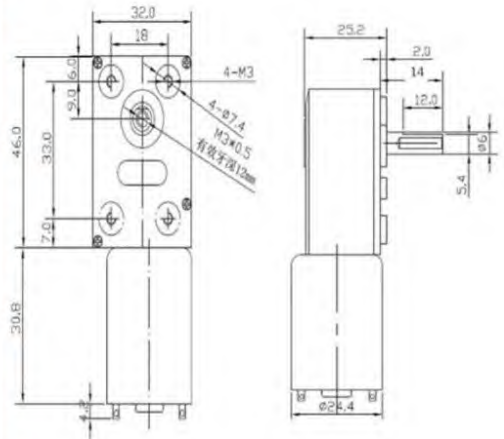
Reduction ratio	40	65	90	150	200	260	340	600	1000
No load current mA	≤100	≤100	≤100	≤100	≤100	≤100	≤100	≤100	≤100
No load speed rpm	150	90	66	40	30	23	18	10	6
Rated torque kg cm	0.2	0.5	0.7	2	5.3	6.7	9	15.9	26.5
Rated speed rpm	120	70	51	30	22	18	15	7.5	4
Rated current A	≤0.6	≤0.6	≤0.6	≤0.6	≤0.6	≤0.6	≤0.6	≤0.6	≤0.6
Max torque kg cm	0.9	1.6	2	7.5	10	13	18	30	45
Stall current A	3.3	3.3	3.3	3.3	3.3	3.3	3.3	3.3	3.3

Rated DC12V1260 testing parameter table

Reduction ratio	40	65	90	150	200	260	340	600	1000
No load current mA	≤60	≤60	≤60	≤60	≤60	≤60	≤60	≤60	≤60
No load speed rpm	150	90	66	40	30	23	18	10	6
Rated torque kg cm	0.2	0.5	0.7	2	5.3	6.7	9	15.9	26.5
Rated speed rpm	120	70	51	30	22	18	15	7.5	4
Rated current A	≤0.6	≤0.6	≤0.6	≤0.6	≤0.6	≤0.6	≤0.6	≤0.6	≤0.6
Max torque kg cm	0.9	1.6	2	7.5	10	13	18	30	45
Stall current A	1.7	1.7	1.7	1.7	1.7	1.7	1.7	1.7	1.7

Rated DC24V2460 testing parameter table

Reduction ratio	40	65	90	150	200	260	340	600	1000
No load current mA	≤40	≤40	≤40	≤40	≤40	≤40	≤40	≤40	≤40
No load speed rpm	150	90	66	40	30	23	18	10	6
Rated torque kg cm	0.2	0.5	0.7	2	5.3	6.7	9	15.9	26.5
Rated speed rpm	120	70	51	30	22	18	15	7.5	4
Rated current A	≤0.3	≤0.3	≤0.3	≤0.3	≤0.3	≤0.3	≤0.3	≤0.3	≤0.3
Max torque kg cm	0.9	1.6	2	7.5	10	13	18	30	45
Stall current A	0.85	0.85	0.85	0.85	0.85	0.85	0.85	0.85	0.85





Model: JGY370S

Shenzhen Jinshunlaite Motor.,Ltd.

web: www.aslongdcmotor.com/www.aslongmotor.com

Email: sales@aslongmotor.com



Model: DC worm gear motor JGY-370

Rated DC6V testing parameter table

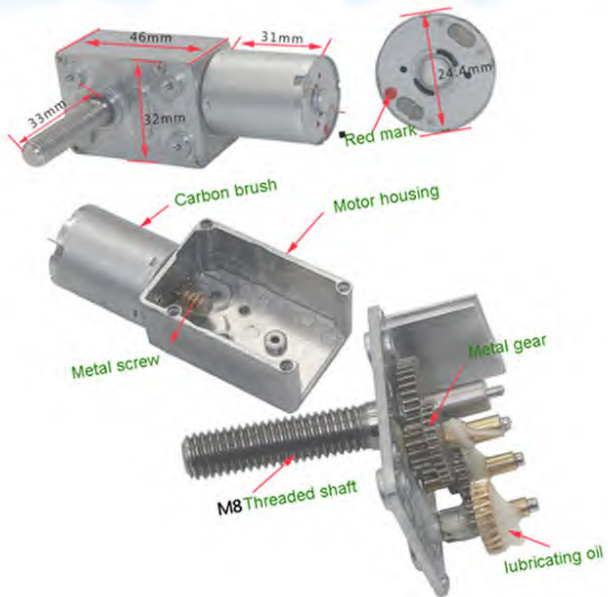
Reduction ratio	40	65	90	150	200	260	340	600	1000
No load current MA	≤100	≤100	≤100	≤100	≤100	≤100	≤100	≤100	≤100
No load speed rpm	150	90	66	40	30	23	18	10	6
Rated torque kg cm	0.2	0.5	0.7	2	5.3	6.7	9.0	15.9	26.5
Rated speed rpm	120	70	51	30	22	18	13	7.5	4
Rated current A	≤0.6	≤0.6	≤0.6	≤0.6	≤0.6	≤0.6	≤0.6	≤0.6	≤0.6
Max torque kg cm	0.9	1.6	2	7.5	10	13	18	30	45
Stop current A	3.3	3.3	3.3	3.3	3.3	3.3	3.3	3.3	3.3

Rated DC12V testing parameter table

Reduction ratio	40	65	90	150	200	260	340	600	1000
No load current MA	≤60	≤60	≤100	≤60	≤60	≤60	≤60	≤60	≤60
No load speed rpm	150	90	66	40	30	23	18	10	6
Rated torque kg cm	0.2	0.5	0.7	2	5.3	6.7	9.0	15.9	26.5
Rated speed rpm	120	70	51	30	22	18	15	7.5	4
Rated current A	≤0.6	≤0.6	≤0.6	≤0.6	≤0.6	≤0.6	≤0.6	≤0.6	≤0.6
Max torque kg cm	0.9	1.6	2	7.5	10	13	18	30	45
Stop current A	1.7	1.7	3.3	1.7	1.7	1.7	1.7	1.7	1.7

Rated DC24V testing parameter table

Reduction ratio	40	65	90	150	200	260	340	600	1000
No load current MA	≤40	≤40	≤100	≤40	≤40	≤40	≤40	≤40	≤40
No load speed rpm	150	90	66	40	30	23	18	10	6
Rated torque kg cm	0.2	0.5	0.7	2	5.3	6.7	9.0	15.9	26.5
Rated speed rpm	120	70	51	30	22	18	15	7.5	4
Rated current A	≤0.3	≤0.3	≤0.3	≤0.3	≤0.3	≤0.3	≤0.3	≤0.3	≤0.3
Max torque kg cm	0.9	1.6	2	7.5	10	13	18	30	45
Stop current A	0.85	0.85	3.3	0.85	0.85	0.85	0.85	0.85	0.85



Model: JGY370SGB

Shenzhen Jinshunlaite Motor.,Ltd.

web: www.aslongdcmotor.com/www.aslongmotor.com

Email: sales@aslongmotor.com



Rated DC6V680 testing parameter table

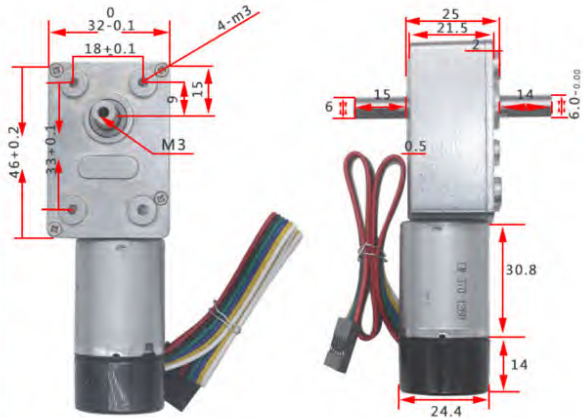
Reduction ratio	40	65	90	150	200	260	340	600	1000
No load current mA	≤100	≤100	≤100	≤100	≤100	≤100	≤100	≤100	≤100
No load speed rpm	150	90	66	40	30	23	18	10	6
Rated torque kg cm	0.2	0.5	0.7	2	5.3	6.7	9	15.9	26.5
Rated speed rpm	120	70	51	30	22	18	15	7.5	4
Rated current A	≤0.6	≤0.6	≤0.6	≤0.6	≤0.6	≤0.6	≤0.6	≤0.6	≤0.6
Max torque kg cm	0.9	1.6	2	7.5	10	13	18	30	45
Stall current A	3.3	3.3	3.3	3.3	3.3	3.3	3.3	3.3	3.3

Rated DC12V1260 testing parameter table

Reduction ratio	40	65	90	150	200	260	340	600	1000
No load current mA	≤60	≤60	≤60	≤60	≤60	≤60	≤60	≤60	≤60
No load speed rpm	150	90	66	40	30	23	18	10	6
Rated torque kg cm	0.2	0.5	0.7	2	5.3	6.7	9	15.9	26.5
Rated speed rpm	120	70	51	30	22	18	15	7.5	4
Rated current A	≤0.6	≤0.6	≤0.6	≤0.6	≤0.6	≤0.6	≤0.6	≤0.6	≤0.6
Max torque kg cm	0.9	1.6	2	7.5	10	13	18	30	45
Stall current A	1.7	1.7	1.7	1.7	1.7	1.7	1.7	1.7	1.7

Rated DC24V2460 testing parameter table

Reduction ratio	40	65	90	150	200	260	340	600	1000
No load current mA	≤40	≤40	≤40	≤40	≤40	≤40	≤40	≤40	≤40
No load speed rpm	150	90	66	40	30	23	18	10	6
Rated torque kg cm	0.2	0.5	0.7	2	5.3	6.7	9	15.9	26.5
Rated speed rpm	120	70	51	30	22	18	15	7.5	4
Rated current A	≤0.3	≤0.3	≤0.3	≤0.3	≤0.3	≤0.3	≤0.3	≤0.3	≤0.3
Max torque kg cm	0.9	1.6	2	7.5	10	13	18	30	45
Stall current A	0.85	0.85	0.85	0.85	0.85	0.85	0.85	0.85	0.85

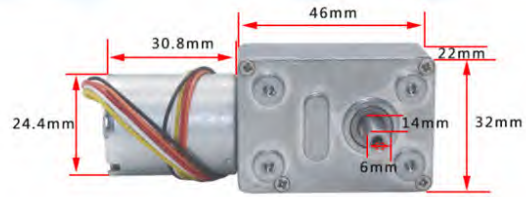
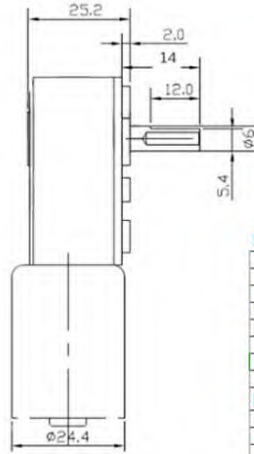
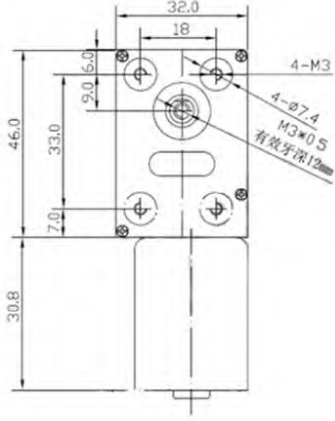




Shenzhen Jinshunlaite Motor.,Ltd.

web: www.aslongdcmotor.com/www.aslongmotor.com

Email: sales@aslongmotor.com



Mdel:JGY371

Rated DC12V testing parameter table

Reduction ratio	40	65	150	200	260	340	600	1000
No load current MA	≤130	≤130	≤130	≤130	≤130	≤130	≤130	≤130
No load speed rpm	150	90	40	30	23	18	10	6
Rated torque kg.cm	1.5	3	7	9	12	15	21	25.0
Rated speed rpm	100	70	30	22	17	13	7	4
Rated current A	≤0.8	≤0.8	≤0.8	≤0.8	≤0.8	≤0.8	≤0.8	≤0.8
Max torque kg.cm	2.5	4.2	10	13	17	22	Max 25kg	≤0.8
Stop current A	1.8	1.8	1.8	1.8	1.8	1.8	Ban stall	

Rated DC24V testing parameter table

Reduction ratio	40	65	150	200	260	340	600	1000
No load current MA	≤80	≤80	≤80	≤80	≤80	≤80	≤80	≤80
No load speed rpm	150	90	40	30	23	18	10	6
Rated torque kg.cm	2	3.5	8	10	14	17	20	25.0
Rated speed rpm	100	70	30	22	17	13	7	4
Rated current A	≤0.5	≤0.5	≤0.5	≤0.5	≤0.5	≤0.5	≤0.5	≤0.5
Max torque kg.cm	3	4.9	11.5	15	20	25	Max 25kg	≤0.5
Stop current A	1.3	1.3	1.3	1.3	1.3	1.3	Ban stall	



Shenzhen Jinshunlaite Motor.,Ltd.

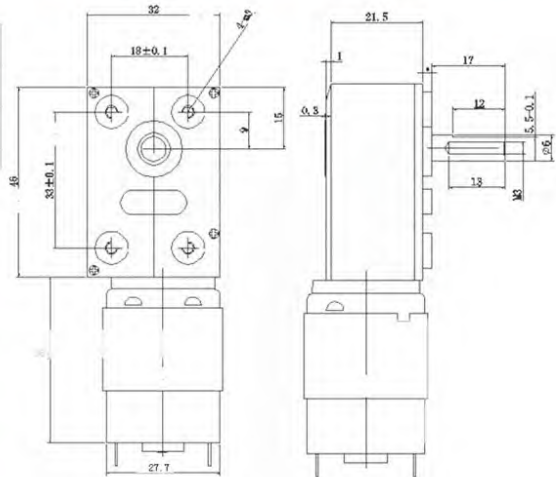
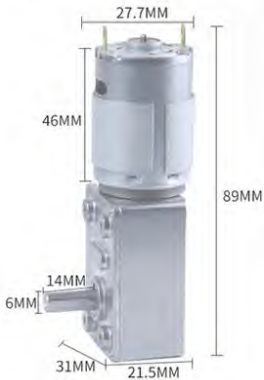
web: www.aslongdcmotor.com/www.aslongmotor.com

Email: sales@aslongmotor.com



Mdel:JGY385

Workable Range	Rated Volt.V	Speed rpm	Current ma	Speed rpm	Current ma	Torque kg.cm	Output W	Torque kg.cm	Current A	Ratio	unit
12-24V	24	200	80	140	450	1	6	4	1.6	1:00	g
12-24V	24	50	80	35	450	4	6	15	1.6	150	200
12-24V	24	23	80	16	450	10	6	30	1.6	324	200
12-24V	24	13	80	9	450	20	6	50	1.6	588	200
12-24V	24	8	80	5	450	30	6	60	1.6	972	200





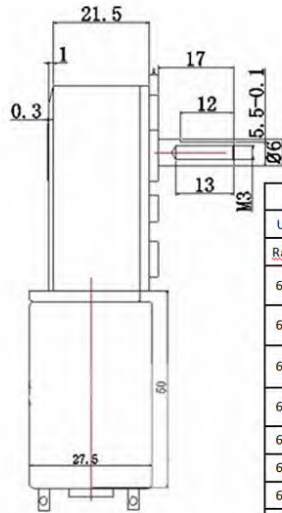
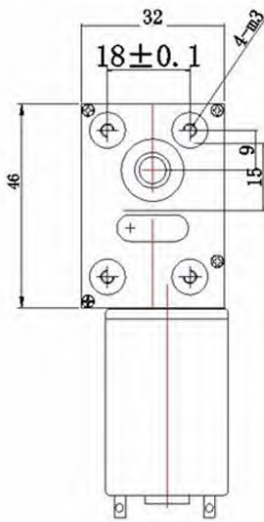
Shenzhen Jinshunlaite Motor.,Ltd.

web : www.aslongdcmotor.com/www.aslongmotor.com

Email : sales@aslongmotor.com



Mdel:JGY395



Voltage		No load				Load			Stall		Reduction	(L) Size
Using	The	Speed	Current	Speed	Current	Torque	Power	Torque	Current			
Range	Rated	r/min	ma	r/min	A	Kg.cm	8	9	A	Ratio	mm	
6-12V	12v	201	150	140	1	2.3	8	36	6	37.3	46	
6-12V	12v	50	150	38	1	9	8	60	6	150	46	
6-12V	12v	30	150	24	1	15	8	prohibit	6	250	46	
6-12V	12v	23	150	19	1	18	8		6	324	46	
6-12V	12v	12	150	10	1	20	8		6	600	46	
6-12V	12v	8	150	6.5	1	25	8		6	972	46	
6-12V	12v	4.5	150	3.5	1	30	8		6	1700	46	
6-12V	12v	2.5	150	2	1	40	8	6	2900	46		



Shenzhen Jinshunlaite Motor.,Ltd.

web: www.aslongdcmotor.com/www.aslongmotor.com

Email: sales@aslongmotor.com



Mdel:5840-31ZY

Rated DC12V1280 testing parameter table

Reduction ratio	17	31	50	100	200	290	505	670
No load current MA	≤350	≤350	≤350	≤350	≤350	≤350	≤350	≤350
No load speed rpm	470	260	160	80	40	27	16	12
Rated torque kg.cm	3.4	6.2	10.0	20.0	40.0	60.0	70.0	70.0
Rated speed rpm	380	200	130	60	30	20	12	9
Rated current A	≤1.6	≤1.6	≤1.6	≤1.6	≤1.6	≤1.6	≤1.6	≤1.6
Max torque kg.cm	8.5	16	25	50	70.0	70.0	70.0	70.0
Stop current A	6.5	6.5	6.5	6.5	6.5	6.5	6.5	6.5

Rated DC24V2480 testing parameter table

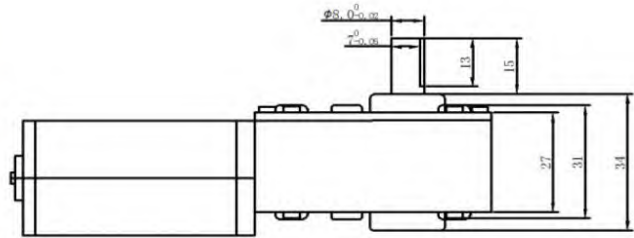
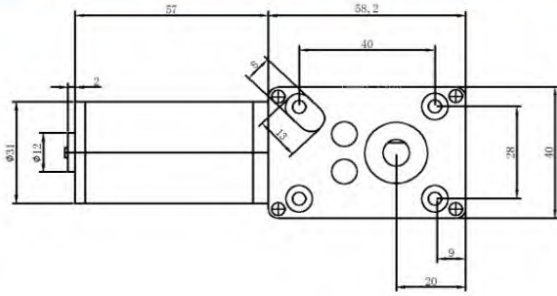
Reduction ratio	17	31	50	100	200	290	505	670
No load current MA	≤200	≤200	≤200	≤200	≤200	≤200	≤200	≤200
No load speed rpm	470	260	160	80	40	27	16	12
Rated torque kg.cm	3.4	6.2	10.0	20.0	40.0	60.0	70.0	70.0
Rated speed rpm	380	200	130	60	30	20	12	9
Rated current A	≤1.6	≤1.6	≤1.6	≤1.6	≤1.6	≤1.6	≤1.6	≤1.6
Max torque kg.cm	10.0	18	30.0	60.0	70.0	70.0	70.0	70.0
Stop current A	4.4	4.4	4.4	4.4	4.4	4.4	4.4	4.4

Rated DC24V2450 testing parameter table

Reduction ratio	17	31	50	100	200	290	505	670
No load current MA	≤100	≤100	≤100	≤100	≤100	≤100	≤100	≤100
No load speed rpm	300	160	100	50	25	17	10	7
Rated torque kg.cm	3.4	6.2	10.0	20.0	40.0	60.0	70.0	70.0
Rated speed rpm	230	130	80	40	20	14	8	5
Rated current A	≤0.6	≤0.6	≤0.6	≤0.6	≤0.6	≤0.6	≤0.6	≤0.6
Max torque kg.cm	8.0	15	25.0	51.0	70.0	70.0	70.0	70.0
Stop current A	2.0	2.0	2.0	2.0	2.0	2.0	2.0	2.0

Rated DC24V2435 testing parameter table

Reduction ratio	17	31	50	100	200	290	505	670
No load current MA	≤100	≤100	≤100	≤100	≤100	≤100	≤100	≤100
No load speed rpm	230	110	70	35	17	12	7	5
Rated torque kg.cm	3.4	6.2	10.0	20.0	40.0	60.0	70.0	70.0
Rated speed rpm	200	130	80	40	20	14	8	5
Rated current A	≤0.6	≤0.6	≤0.6	≤0.6	≤0.6	≤0.6	≤0.6	≤0.6
Max torque kg.cm	5.0	9	15.0	29.0	60.0	70.0	70.0	70.0
Stop current A	1.4	1.4	1.4	1.4	1.4	1.4	1.4	1.4





Shenzhen Jinshunlaite Motor.,Ltd.

web : www.aslongdcmotor.com/www.aslongmotor.com

Email : sales@aslongmotor.com



Mddel:5840-31ZYCS

5840-31ZY:2435										
Rated voltage	Reducti on ratio	No load		rated			Max Load			weight
		speed $\pm 10\%$	current	speed $\pm 10\%$	current	Torque	Torque	current		
	1: X	rpm	A	rpm	A	Kg.cm	Kg.cm	A	g	
DC 24V	17	205	≤ 0.1	164	≤ 0.6	1.9	5.6	≤ 1.4	≈ 360	
	31	110	≤ 0.1	90	≤ 0.6	3.5	10.1	≤ 1.4	≈ 360	
	50	70	≤ 0.1	56	≤ 0.6	5.6	16.8	≤ 1.4	≈ 360	
	100	35	≤ 0.1	30	≤ 0.6	11.2	33.6	≤ 1.4	≈ 360	
	200	17	≤ 0.1	14	≤ 0.6	22.4	39.2	≤ 1.4	≈ 360	
	290	12	≤ 0.1	10	≤ 0.6	33.6	39.2	≤ 1.4	≈ 360	
	505	7	≤ 0.1	5.5	≤ 0.6	39.2	39.2	≤ 1.4	≈ 360	
670	5	≤ 0.1	4	≤ 0.6	39.2	39.2	≤ 1.4	≈ 360		
No locked rotor										



5840-31ZY:2480										
Rated voltage	Reducti on ratio	No load		rated			Max Load			weight
		speed $\pm 10\%$	current	speed $\pm 10\%$	current	Torque	Torque	current		
	1: X	rpm	A	rpm	A	Kg.cm	Kg.cm	A	g	
DC 24V	17	470	≤ 0.2	380	≤ 1.6	3.4	10.0	≤ 4.4	≈ 360	
	31	260	≤ 0.2	200	≤ 1.6	6.2	18.0	≤ 4.4	≈ 360	
	50	160	≤ 0.2	130	≤ 1.6	10.0	30.0	≤ 4.4	≈ 360	
	100	80	≤ 0.2	60	≤ 1.6	20.0	60.0	≤ 4.4	≈ 360	
	200	40	≤ 0.2	30	≤ 1.6	40.0	70.0	≤ 4.4	≈ 360	
	290	27	≤ 0.2	20	≤ 1.6	60.0	70.0	≤ 4.4	≈ 360	
	505	16	≤ 0.2	12	≤ 1.6	70.0	70.0	≤ 4.4	≈ 360	
670	12	≤ 0.2	9	≤ 1.6	70.0	70.0	≤ 4.4	≈ 360		
No locked rotor										

5840-31ZY:1280										
Rated voltage	Reducti on ratio	No load		rated			Max Load			weight
		speed $\pm 10\%$	current	speed $\pm 10\%$	current	Torque	Torque	current		
	1: X	rpm	A	rpm	A	Kg.cm	Kg.cm	A	g	
DC 12V	17	470	≤ 0.35	380	≤ 1.6	3.4	8.5	≤ 6.5	≈ 360	
	31	260	≤ 0.35	200	≤ 1.6	6.2	16.0	≤ 6.5	≈ 360	
	50	160	≤ 0.35	130	≤ 1.6	10.0	25.0	≤ 6.5	≈ 360	
	100	80	≤ 0.35	60	≤ 1.6	20.0	50.0	≤ 6.5	≈ 360	
	200	40	≤ 0.35	30	≤ 1.6	40.0	70.0	≤ 6.5	≈ 360	
	290	27	≤ 0.35	20	≤ 1.6	60.0	70.0	≤ 6.5	≈ 360	
	505	16	≤ 0.35	12	≤ 1.6	70.0	70.0	≤ 6.5	≈ 360	
670	12	≤ 0.35	9	≤ 1.6	70.0	70.0	≤ 6.5	≈ 360		
No locked rotor										

5840-31ZY:2450										
Rated voltage	Reducti on ratio	No load		rated			Max Load			weight
		speed $\pm 10\%$	current	speed $\pm 10\%$	current	Torque	Torque	current		
	1: X	rpm	A	rpm	A	Kg.cm	Kg.cm	A	g	
DC 24V	17	300	≤ 0.1	230	≤ 0.6	2.38	7.0	≤ 2.0	≈ 360	
	31	160	≤ 0.1	130	≤ 0.6	4.34	12.6	≤ 2.0	≈ 360	
	50	100	≤ 0.1	80	≤ 0.6	7	21.0	≤ 2.0	≈ 360	
	100	50	≤ 0.1	40	≤ 0.6	14	42.0	≤ 2.0	≈ 360	
	200	25	≤ 0.1	20	≤ 0.6	28	49.0	≤ 2.0	≈ 360	
	290	17	≤ 0.1	14	≤ 0.6	42	49.0	≤ 2.0	≈ 360	
	505	10	≤ 0.1	8	≤ 0.6	49	49.0	≤ 2.0	≈ 360	
670	7	≤ 0.1	5	≤ 0.6	49	49.0	≤ 2.0	≈ 360		
No locked rotor										



Shenzhen Jinshunlaite Motor.,Ltd.

web: www.aslongdcmotor.com/www.aslongmotor.com

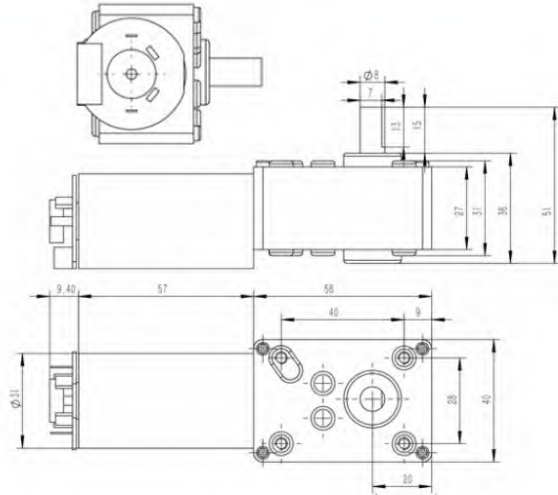
Email: sales@aslongmotor.com



Mddel:5840-31ZYencoder

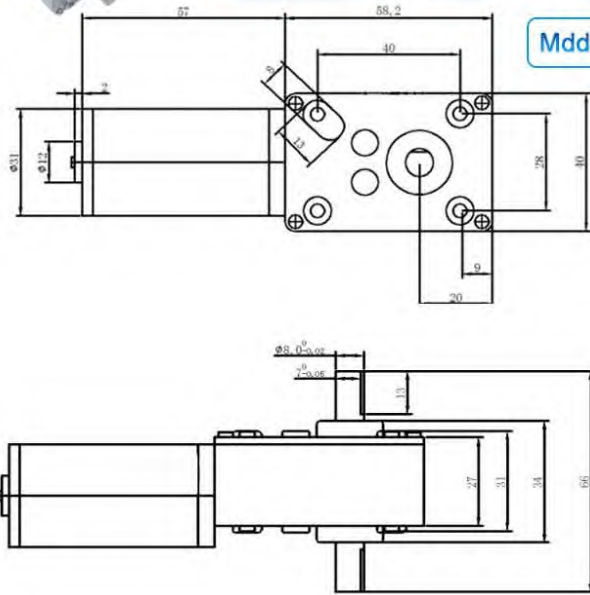
Model	Voltage		No load		Rated torque				Stall	
	V	r/min	A	Speed	Current	Torque	Power	Current	Torque	
	V	r/min	A	mr/min	A	Kg.cm	W	A	Kg.cm	
5840-31ZY-B-1280-17K	12	470	0.3	405	1	0.85	3.6	6.5	5.1	
5840-31ZY-B-1280-31K	12	260	0.3	225	1	1.55	3.7	6.5	9.3	
5840-31ZY-B-1280-50K	12	160	0.3	140	1	2.5	3.7	6.5	15	
5840-31ZY-B-1280-100K	12	80	0.3	71	1	5	3.7	6.5	30	
5840-31ZY-B-1280-200K	12	40	0.3	35	1	10	3.7	6.5	60	
5840-31ZY-B-1280-290K	12	27	0.3	23	1	14.5	3.5	Ban	stall	
5840-31ZY-B-1280-500K	12	16	0.3	14	1	25	3.7	Ban	stall	
5840-31ZY-B-1280-670K	12	12	0.3	10	1	33.5	3.5	Ban	stall	

Model	Voltage		No load		Rated torque				Stall	
	V	r/min	A	Speed	Current	Torque	Power	Current	Torque	
	V	r/min	A	mr/min	A	Kg.cm	W	A	Kg.cm	
5840-31ZY-B-2480-17K	24	470	0.2	405	0.6	1	4.3	4.4	5.1	
5840-31ZY-B-2480-31K	24	260	0.2	225	0.6	1.9	4.4	4.4	9.3	
5840-31ZY-B-2480-50K	24	160	0.2	140	0.6	3	4.4	4.4	15	
5840-31ZY-B-2480-100K	24	80	0.2	71	0.6	6	4.5	4.4	30	
5840-31ZY-B-2480-200K	24	40	0.2	35	0.6	12	4.4	4.4	60	
5840-31ZY-B-2480-290K	24	27	0.2	23	0.6	17.4	4.2	Ban	stall	
5840-31ZY-B-2480-500K	24	16	0.2	14	0.6	30	4.4	Ban	stall	
5840-31ZY-B-2480-670K	24	12	0.2	10	0.6	40.2	4.2	Ban	stall	





Shenzhen Jinshunlaite Motor.,Ltd.
 web: www.aslongdcmotor.com/www.aslongmotor.com
 Email: sales@aslongmotor.com



Mddel:5840-31ZYS

Type	Voltage		No Load		Rated Load			Stall		Reducer
	Workable Range	Rated Volt.V	Speed rpm	Current MA	Speed rpm	Current A	Torque Kg.cm	Torque Kg.cm	Current A	
1280	6-18V	12V	470	≤350	380	≤1.6	3.4	8.5	6.5	17
	6-18V	12V	260	≤350	200	≤1.6	6.2	16	6.5	31
	6-18V	12V	160	≤350	130	≤1.6	10	25	6.5	50
	6-18V	12V	80	≤350	60	≤1.6	20	50	6.5	100
	6-18V	12V	40	≤350	30	≤1.6	40	70	6.5	200
	6-18V	12V	27	≤350	20	≤1.6	60	70	6.5	290
	6-18V	12V	16	≤350	12	≤1.6	70	70	6.5	505
	6-18V	12V	12	≤350	9	≤1.6	70	70	6.5	670
	2480	12-30V	24V	470	≤200	380	≤1.6	3.4	10	4.4
12-30V		24V	260	≤200	200	≤1.6	6.2	18	4.4	31
12-30V		24V	160	≤200	130	≤1.6	10	30	4.4	50
12-30V		24V	80	≤200	60	≤1.6	20	60	4.4	100
12-30V		24V	40	≤200	30	≤1.6	40	70	4.4	200
12-30V		24V	27	≤200	20	≤1.6	60	70	4.4	290
12-30V		24V	16	≤200	12	≤1.6	70	70	4.4	505
12-30V		24V	12	≤200	9	≤1.6	70	70	4.4	670
2450		12-30V	24V	300	≤100	230	≤0.6	3.4	5	1.4
	12-30V	24V	160	≤100	130	≤0.6	6.2	9	1.4	31
	12-30V	24V	100	≤100	80	≤0.6	10	15	1.4	50
	12-30V	24V	50	≤100	40	≤0.6	20	29	1.4	100
	12-30V	24V	25	≤100	20	≤0.6	40	60	1.4	200
	12-30V	24V	17	≤100	14	≤0.6	60	70	1.4	290
	12-30V	24V	10	≤100	8	≤0.6	70	70	1.4	505
	12-30V	24V	7	≤100	5	≤0.6	70	70	1.4	670
	2435	12-30V	24V	200	≤100	230	≤0.6	3.4	5	1.4
12-30V		24V	110	≤100	130	≤0.6	6.2	9	1.4	31
12-30V		24V	70	≤100	80	≤0.6	10	15	1.4	50
12-30V		24V	35	≤100	40	≤0.6	20	29	1.4	100
12-30V		24V	17	≤100	20	≤0.6	40	60	1.4	200
12-30V		24V	12	≤100	14	≤0.6	60	70	1.4	290
12-30V		24V	7	≤100	8	≤0.6	70	70	1.4	505
12-30V		24V	5	≤100	5	≤0.6	70	70	1.4	670



Shenzhen Jinshunlaite Motor.,Ltd.

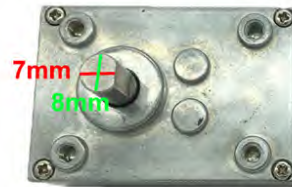
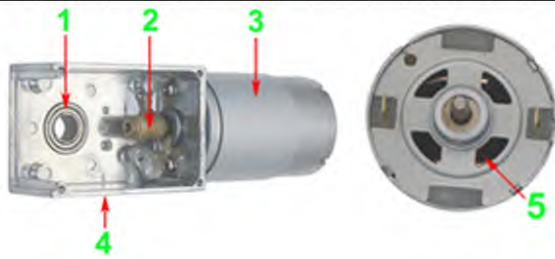
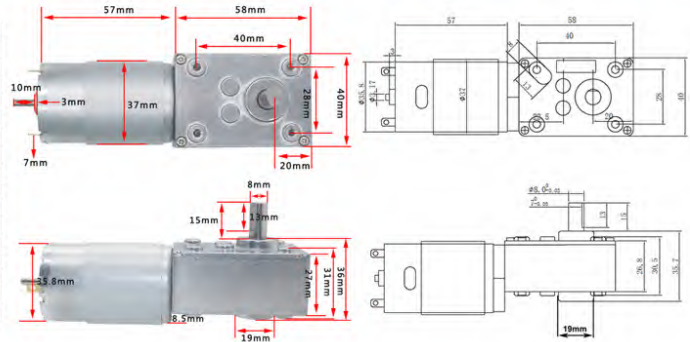
web : www.aslongdcmotor.com/www.aslongmotor.com

Email : sales@aslongmotor.com



Mdel:5840-555

Reduction ratio	Rated Volt V	No Load		AT Load			STALL	
		SPEED RPM	CURRENT mA	Torque KG.cm	SPEED RPM	Current A	TOGQUE KG. CM	CURRENT A
17	12	470	500	2.5	380	1.2	4.3	4.7
31	12	260	500	4.5	200	1.2	8	4.7
50	12	160	500	7.3	130	1.2	12.5	4.7
100	12	80	500	14.5	60	1.2	25	4.7
200	12	40	500	29	30	1.2	51	4.7
290	12	27	500	42	20	1.2	70	4.7
500	12	16	500	60	12	1.2	70	4.7
17	24	470	250	8	380	1.5	17	5.2
31	24	260	250	9.5	200	1.5	31	5.2
50	24	160	250	15	130	1.5	50	5.2
100	24	80	250	30	60	1.5	50	5.2
200	24	40	250	40	30	1.5	70	5.2
290	24	27	250	50	20	1.5	70	5.2
500	24	16	250	60	12	1.5	70	5.2





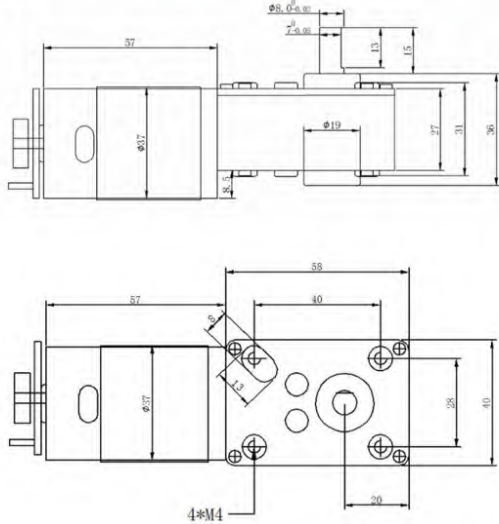
Shenzhen Jinshunlaite Motor.,Ltd.

web : www.aslongdcmotor.com/www.aslongmotor.com

Email : sales@aslongmotor.com



Mdel:5840-555B



Motor Type: DC Turbine Worm Motor 5840-555

No-load current 0.5A Load current 1.2A Stall current 4.7A

Reduction ratio	17	31	50	100	200	290	500
No-load speed (RPM)	470	260	160	80	40	27	12
Rated torque (Kg.cm)	2.5	4.5	7.3	14.5	29.0	42.0	60.0
Rated speed (RPM)	380	200	130	60	30	20	12
Maximum torque (Kg.cm)	4.3	8	12.5	25.0	51.0	70.0	70.0

No-load current 0.25A Load current 1.5A Stall current 5.2A

Reduction ratio	17	31	50	100	200	290	500
No-load speed (RPM)	470	260	160	80	40	27	16
Rated torque (Kg.cm)	8.0	9.5	15.0	30.0	40.0	50.0	60.0
Rated speed (RPM)	380	200	130	60	30	20	12
Maximum torque (Kg.cm)	17.0	31	50.0	50.0	70.0	70.0	70.0



Shenzhen Jinshunlaite Motor.,Ltd.

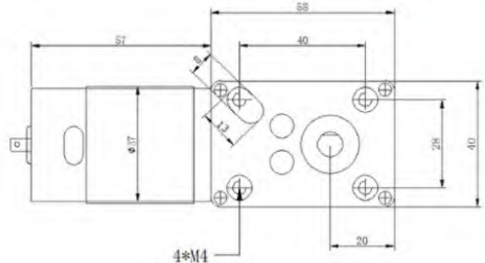
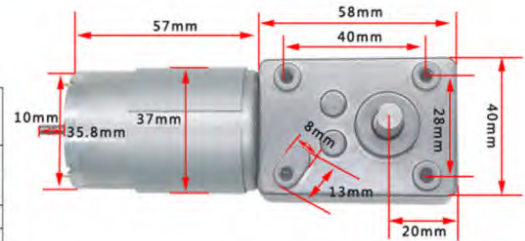
web : www.aslongdcmotor.com/www.aslongmotor.com

Email : sales@aslongmotor.com



Mdel:5840-555S

Reduction ratio (коэффициент уменьшения)	Rated voltage (Номинальное напряжение)	No load		Load (Рабочая нагрузка)			Stall (Maximum)	
		Speed (r/min (±10%))	Current (A)	Speed (r/min (±10%))	Current (A)	Rated torque (крутящий момент) (kg.cm)	Torque (крутящий момент) (kg.cm)	Current (A)
(1 :00)	(V)	r/min (±10%)	(A)	r/min (±10%)	(A)	(kg.cm)	(kg.cm)	(A)
500	12	12	0.5	12	1.2	60	70	4.7
290	12	27	0.5	20	1.2	42	70	4.7
200	12	40	0.5	30	1.2	29	51	4.7
100	12	80	0.5	60	1.2	14.5	25	4.7
50	12	160	0.5	130	1.2	7.3	12.5	4.7
31	12	260	0.5	200	1.2	4.5	8	4.7
17	12	470	0.5	380	1.2	2.5	4.3	4.7
500	24	16	0.25	12	1.5	60	70	5.2
290	24	27	0.25	20	1.5	50	70	5.2
200	24	40	0.25	30	1.5	40	70	5.2
100	24	80	0.25	60	1.5	30	50	5.2
50	24	160	0.25	130	1.5	15	50	5.2
31	24	260	0.25	200	1.5	9.5	31	5.2
17	24	470	0.25	380	1.5	8	17	5.2





Shenzhen Jinshunlaite Motor.,Ltd.

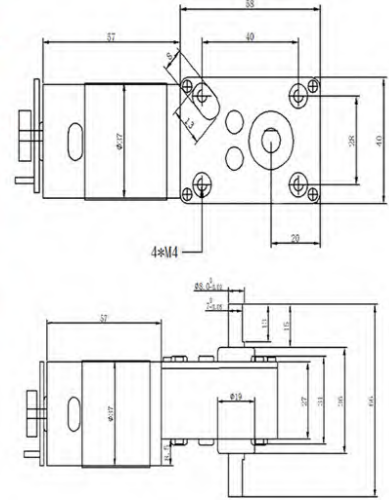
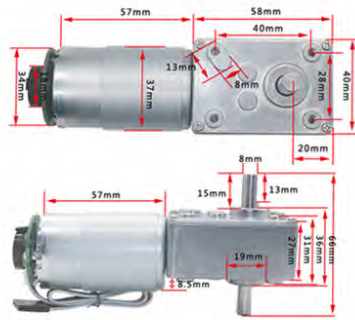
web: www.aslongdcmotor.com/www.aslongmotor.com

Email: sales@aslongmotor.com



Model: 5840-555SB

Rated DC12V parameter table							
Reduction ratio	17	31	50	100	200	290	500
No load speed rpm	470	260	160	80	40	27	12
Rated torque kg.cm	2.5	4.5	7.3	14.5	29	42	60
Rated speed rpm	380	200	130	60	30	20	12
Max torque kg.cm	4.3	8	12.5	25	51	70	70
Rated DC24V parameter table							
Reduction ratio	17	31	50	100	200	290	500
No load speed rpm	470	260	160	80	40	27	12
Rated torque kg.cm	8	9.5	15	30	40	50	60
Rated speed rpm	380	200	130	60	30	20	12
Max torque kg.cm	17	31	50	50	70	70	70



230MM
The length of the line



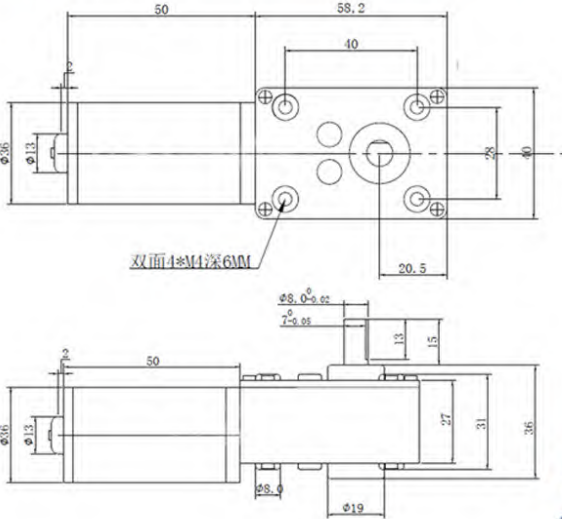
Shenzhen Jinshunlaite Motor.,Ltd.

web: www.aslongdcmotor.com/www.aslongmotor.com

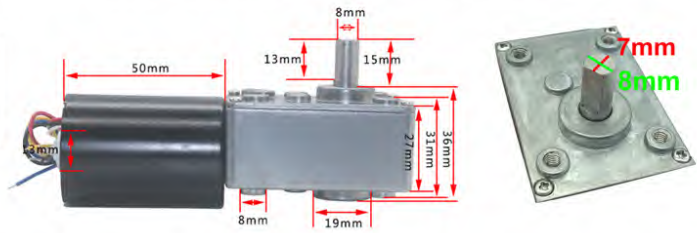
Email: sales@aslongmotor.com



Mdel:5840-3650



Reduction ratio	Rated Volt	No Load			AT Load		STALL	
		SPEED RPM	CURRENT mA	Torque KG.cm	SPEED RPM	Current A	TOGQUE KG.CM	CURRENT A
17	12	235	230	2.5	180	0.8	4.3	3
31	12	130	230	4.5	100	0.8	8	3
50	12	80	230	7.3	60	0.8	12.5	3
100	12	40	230	14.5	30	0.8	25	3
200	12	20	230	29	15	0.8	51	3
290	12	14	230	42	10	0.8	70	3
500	12	8	230	60	6	0.8	70	3
17	24	470	300	5	380	1.6	8.5	3
31	24	260	300	9.5	200	1.6	15.5	3
50	24	160	300	15	130	1.6	25	3
100	24	80	300	30	60	1.6	50	3
200	24	40	300	40	30	1.6	70	3
290	24	27	300	50	20	1.6	70	3
500	24	16	300	60	12	1.6	70	3





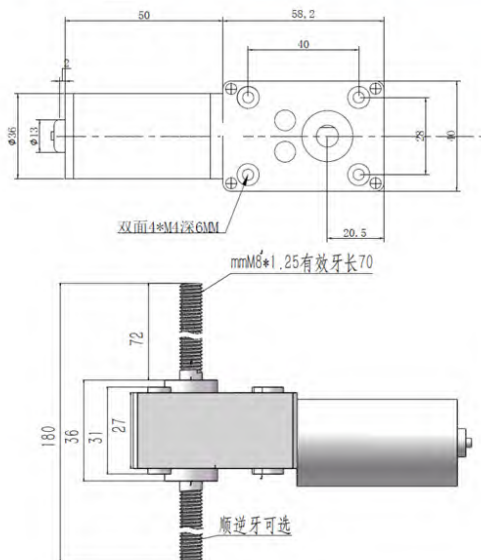
Shenzhen Jinshunlaite Motor.,Ltd.

web: www.aslongdcmotor.com/www.aslongmotor.com

Email: sales@aslongmotor.com



Mdel:5840-3650-180



Reduction ratio (коэффициент уменьшения)	Rated voltage (Номинальное напряжение)	No load		Load (Рабочая нагрузка)				Stall (Maximum)
		Speed r/min (±10%)	Current (mA)	Speed r/min (±10%)	Current (A)	Rated torque (крутящий момент) (kg.cm)	Power (Мощность) (W)	Torque (крутящий момент) (kg.cm)
(1.00)	(V)	r/min (±10%)	(mA)	r/min (±10%)	(A)	(kg.cm)	(W)	(kg.cm)
500	12	8	≤230	6	≤0.8	60	15	70
290	12	14	≤230	10	≤0.8	42	15	70
200	12	20	≤230	15	≤0.8	29	15	51
100	12	40	≤230	30	≤0.8	14.5	15	25
50	12	80	≤230	60	≤0.8	7.3	15	12.5
31	12	130	≤230	100	≤0.8	4.5	15	8
17	12	235	≤230	180	≤0.8	2.5	15	4.3
500	24	16	≤300	12	≤1.6	60	30	70
290	24	27	≤300	20	≤1.6	50	30	70
200	24	40	≤300	30	≤1.6	40	30	70
100	24	80	≤300	60	≤1.6	30	30	50
50	24	160	≤300	130	≤1.6	15	30	25
31	24	260	≤300	200	≤1.6	9.5	30	15.5
17	24	470	≤300	380	≤1.6	5	30	8.5



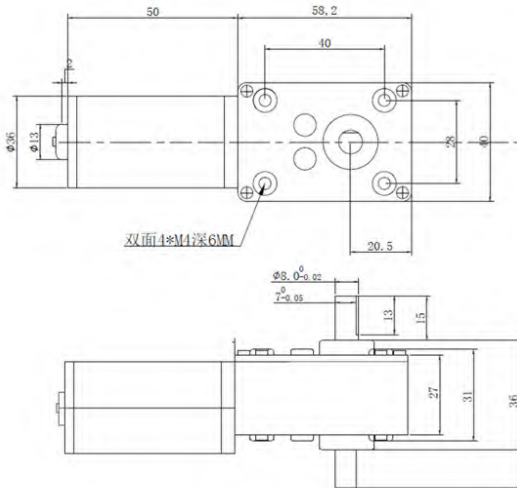
Shenzhen Jinshunlaite Motor.,Ltd.

web: www.aslongdcmotor.com/www.aslongmotor.com

Email: sales@aslongmotor.com

ASLONG®

Mdel:5840-3650-CDtype



Rated voltage DC12V1240 test parameter table

Reduction ratio	17	31	50	100	200	290	500
No load RPM	235	130	80	40	20	14	8
Rated torque KG.CM	2.5	4.5	7.3	14.5	29	42	60
Rated speed RPM	180	100	60	30	15	10	6
Max torque KG.CM	4.3	8	12.5	25	51	70	70

Rated voltage DC24V2480 test parameter table

Reduction ratio	17	31	50	100	200	290	500
No load RPM	470	260	160	80	40	27	16
Rated torque KG.CM	5	9.5	15	30	40	50	60
Rated speed RPM	380	200	130	60	30	20	12
Max torque KG.CM	8.5	15.5	25	50	70	70	70

Wiring Diagram:

- Power -
- Power +
- Cw/ccw, put this line on the black line, then change motor turn
- FG hall signal, 6 signals/R
- Pwm (0-5volt)

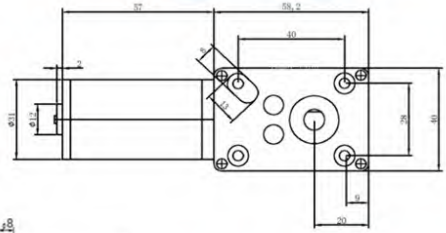
Shenzhen Jinshunlaite Motor.,Ltd.

web: www.aslongdcmotor.com/www.aslongmotor.com

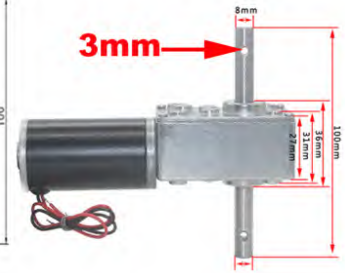
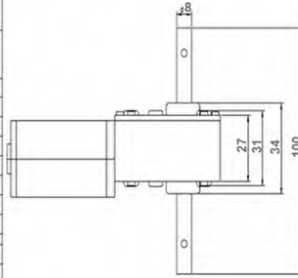
Email: sales@aslongmotor.com



Mdel:5840-3650-SC



Reduction ratio (коэффициент уменьшения)	Rated voltage (Номинальное напряжение)	No load		Load (Рабочая нагрузка)				Stall (Maximum)
		Speed r/min (±10%)	Current (mA)	Speed r/min (±10%)	Current (A)	Rated torque (крутящий момент) (kg cm)	Power (Мощность) (W)	Torque (крутящий момент) (kg cm)
(1.00)	(V)	r/min (±10%)	(mA)	r/min (±10%)	(A)	(крутящий момент) (kg cm)	(Мощность) (W)	(крутящий момент) (kg cm)
500	12	8	≤230	6	≤0.8	60	15	70
290	12	14	≤230	10	≤0.8	42	15	70
200	12	20	≤230	15	≤0.8	29	15	51
100	12	40	≤230	30	≤0.8	14.5	15	25
50	12	80	≤230	60	≤0.8	7.3	15	12.5
31	12	130	≤230	100	≤0.8	4.5	15	8
17	12	235	≤230	180	≤0.8	2.5	15	4.3
500	24	16	≤300	12	≤1.6	60	30	70
290	24	27	≤300	20	≤1.6	50	30	70
200	24	40	≤300	30	≤1.6	40	30	70
100	24	80	≤300	60	≤1.6	30	30	50
50	24	160	≤300	130	≤1.6	15	30	25
31	24	260	≤300	200	≤1.6	9.5	30	15.5
17	24	470	≤300	380	≤1.6	5	30	8.5



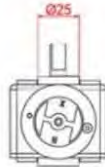
3mm



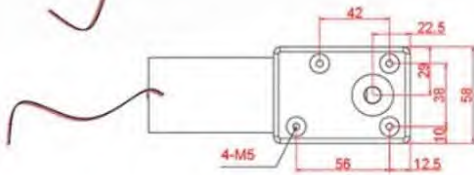
Shenzhen Jinshunlaite Motor.,Ltd.

web: www.aslongdcmotor.com/www.aslongmotor.com

Email: sales@aslongmotor.com



Mdel:A5882-45



Voltage	No load		Load				Stall		Ratio	Weight
	Speed	Current	Speed	Current	Torque	Output	Torque	Current		
V	rpm	mA	rpm	mA	kg.cm	w	kg.cm	A	1:00	G
24	11	170	8.8	2500	120	5.2	prohibit	12	545	1000
24	24	300	19	2400	100	18	280	12	250	1000
24	36	300	30	2400	85	22	200	12	176	1000
24	120	270	96	2400	32	24.25	120	12	50	1000
24	195	270	156	2500	20	24	75	12	30	1000



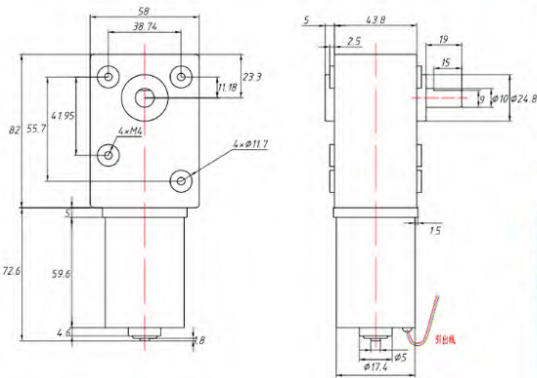
Shenzhen Jinshunlaite Motor.,Ltd.

web: www.aslongdcmotor.com/www.aslongmotor.com

Email: sales@aslongmotor.com



Mdel:A5882-4260



Workable				Parameter table							
Workable		No Load		Load Torque			Stall		Reducer		
Workable	Rated	Speed	Current	Speed	Current	Torque	Output	Torque	Current	Ratio	(L)Size
Range	Volt.V	rpm	ma	rpm	ma	kg.cm	W	kg.cm	A	Ratio	mm
6-24V	24V	44	300	35	1240	50	20	100	5	176	82
6-24V	24V	30	300	24	1240	70	20	150	5	250	82



Shenzhen Jinshunlaite Motor.,Ltd.

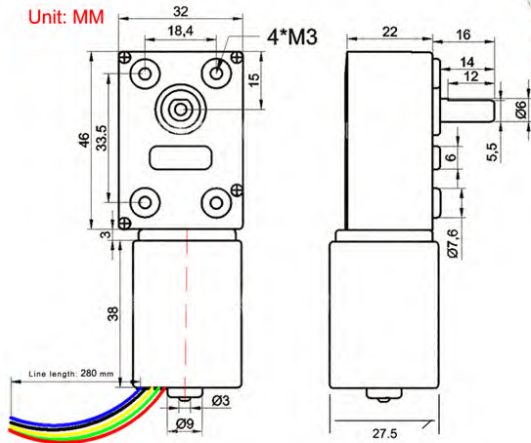
web: www.aslongdcmotor.com/www.aslongmotor.com

Email: sales@aslongmotor.com



Model: JGY2838

Unit: MM



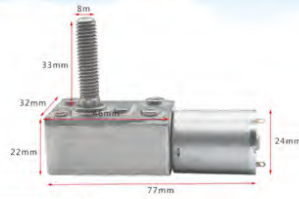
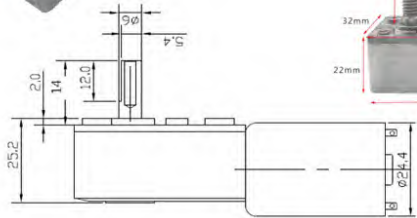
Voltage		Noload		At Max.Efficiency				Stall		Speedreducer	
Using	The	Spee	Curren	Spee	Curren	Torqu	Powe	Torqu	Curren	Redctio	(L)Siz
Rangg	Rated	d	t	d	t	e	r	e	nt	n	e
		r/min	ma	r/min	ma	kg.cm	W	kg.cm	ma	Ratio	mm
12-24V	12V	160	80	120	350	1.8	6	8.4	900	37.3	46
12-24V	12V	40	80	30	300	7.5	6	30	900	150	46
12-24V	12V	24	80	19	300	11	6	40	900	250	46
12-24V	12V	18	80	13.5	200	15	6	55	900	324	46
12-24V	12V	10	80	8	280	25	6	60	900	600	46
12-24V	12V	6	80	5	280	34	6	prohibit	900	972	46
12-24V	12V	3.5	80	2	280	55	6	prohibit	900	1700	46
12-24V	12V	2	80	1.5	280	60	6	prohibit	900	2900	46



Shenzhen Jinshunlaite Motor.,Ltd.

web : www.aslongdcmotor.com/www.aslongmotor.com

Email : sales@aslongmotor.com



Model: JGY370

Model: DC worm gear motor JGY-370

Rated DC6V testing parameter table

Reduction ratio	40	65	90	150	200	260	340	600	1000
No load current MA	≤100	≤100	≤100	≤100	≤100	≤100	≤100	≤100	≤100
No load speed rpm	150	90	66	40	30	23	18	10	6
Rated torque kg cm	0.2	0.5	0.7	2	5.3	6.7	9.0	15.9	26.5
Rated speed rpm	120	70	51	30	22	18	13	7.5	4
Rated current A	≤0.6	≤0.6	≤0.6	≤0.6	≤0.6	≤0.6	≤0.6	≤0.6	≤0.6
Max torque kg cm	0.9	1.6	2	7.5	10	13	18	30	45
Stop current A	3.3	3.3	3.3	3.3	3.3	3.3	3.3	3.3	3.3

Rated DC12V testing parameter table

Reduction ratio	40	65	90	150	200	260	340	600	1000
No load current MA	≤60	≤60	≤100	≤60	≤60	≤60	≤60	≤60	≤60
No load speed rpm	150	90	66	40	30	23	18	10	6
Rated torque kg cm	0.2	0.5	0.7	2	5.3	6.7	9.0	15.9	26.5
Rated speed rpm	120	70	51	30	22	18	15	7.5	4
Rated current A	≤0.6	≤0.6	≤0.6	≤0.6	≤0.6	≤0.6	≤0.6	≤0.6	≤0.6
Max torque kg cm	0.9	1.6	2	7.5	10	13	18	30	45
Stop current A	1.7	1.7	3.3	1.7	1.7	1.7	1.7	1.7	1.7

Rated DC24V testing parameter table

Reduction ratio	40	65	90	150	200	260	340	600	1000
No load current MA	≤40	≤40	≤100	≤40	≤40	≤40	≤40	≤40	≤40
No load speed rpm	150	90	66	40	30	23	18	10	6
Rated torque kg cm	0.2	0.5	0.7	2	5.3	6.7	9.0	15.9	26.5
Rated speed rpm	120	70	51	30	22	18	15	7.5	4
Rated current A	≤0.3	≤0.3	≤0.3	≤0.3	≤0.3	≤0.3	≤0.3	≤0.3	≤0.3
Max torque kg cm	0.9	1.6	2	7.5	10	13	18	30	45
Stop current A	0.85	0.85	3.3	0.85	0.85	0.85	0.85	0.85	0.85

